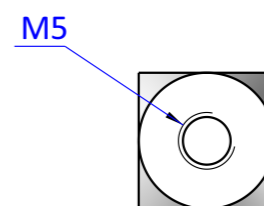
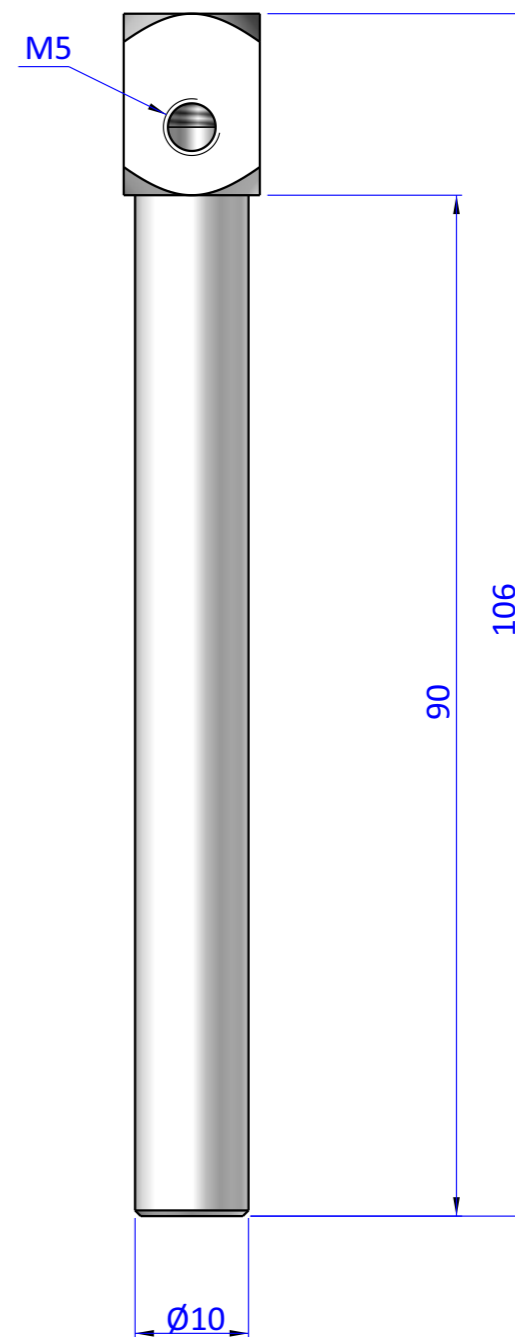
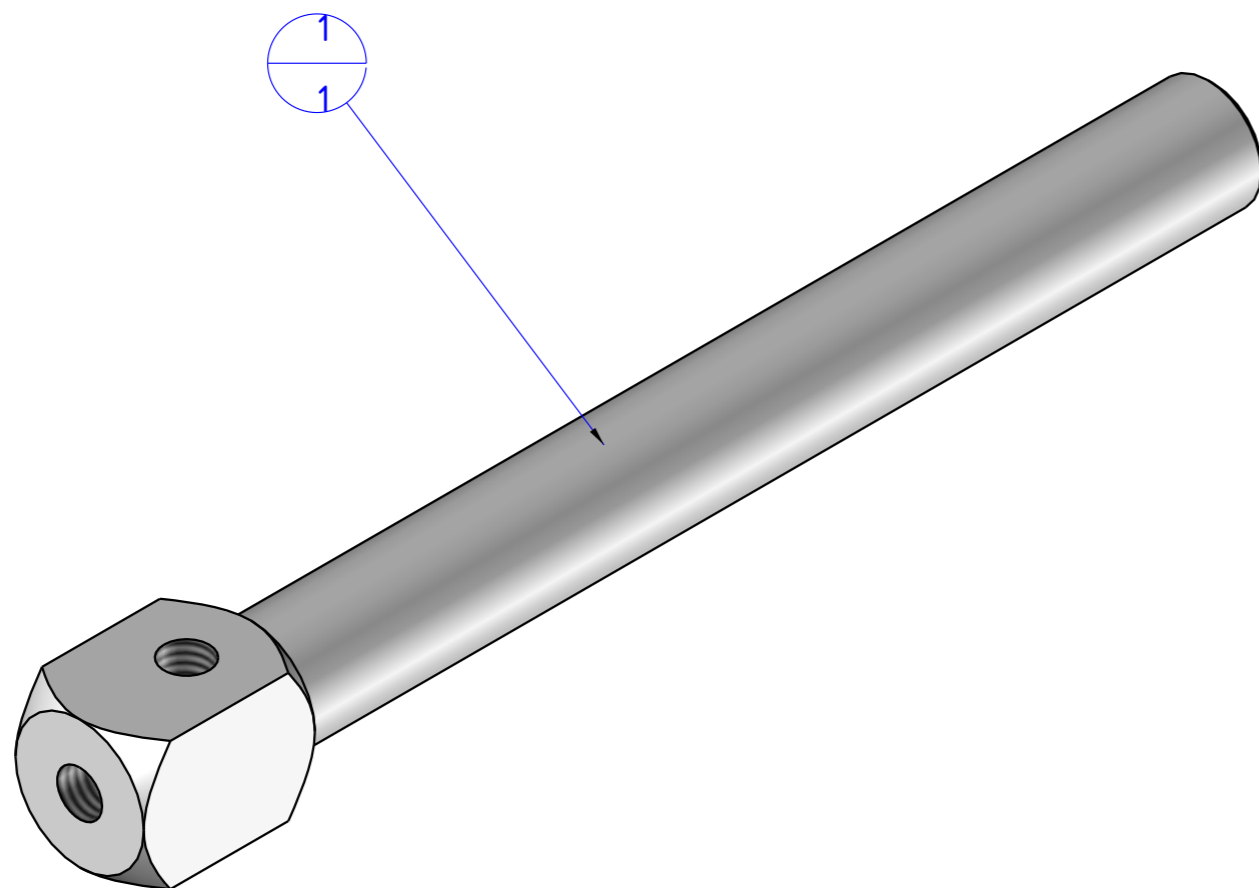



THE PROPERTY OF THE DRAWING IS ESTABLISHED BY LAW. IT IS FORBIDDEN TO PRODUCE OR SHOW IT TO THIRD PART. WITHOUT A WRITTEN AGREEMENT.

| Item | Name         | Q.ty |
|------|--------------|------|
| 1    | GSE.10.M5.M5 | 1    |



Format A3

UNI 936-76

|  |                                |                                 |                   |             |
|--|--------------------------------|---------------------------------|-------------------|-------------|
| <br>FPS SERVICES AUTOMATION |                                | DESIGNED FROM<br>FPS Automation |                   | REVIEW<br>A |
|  |                                | DATE<br>-                       | WEIGHT<br>0,020kg |             |
| GENERAL TOLERANCE<br>UNI - ISO 2768<br>CLASSE f  | DESCRIPTION<br>CA.GSE.10M5M590 | CODE<br>CA.GSE.10M5M590         |                   |             |